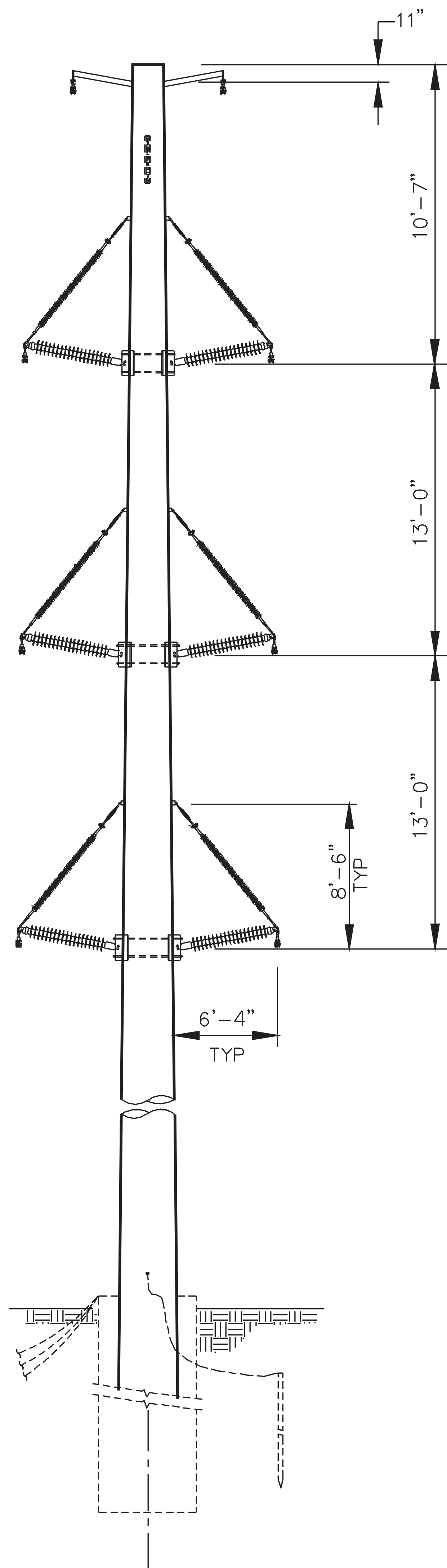


# Typical structure

## Falcon 138 kV Substation and Transmission Line Project

### Typical 138kV tangent structure



At Entergy Texas, Inc., we have a simple set of values: Focus on our customers, treat people with respect and act with integrity. Our project construction plan will be developed with you, our valued customer, in mind. Once work begins, we will work safely during reasonable hours with as little inconvenience to you as possible.