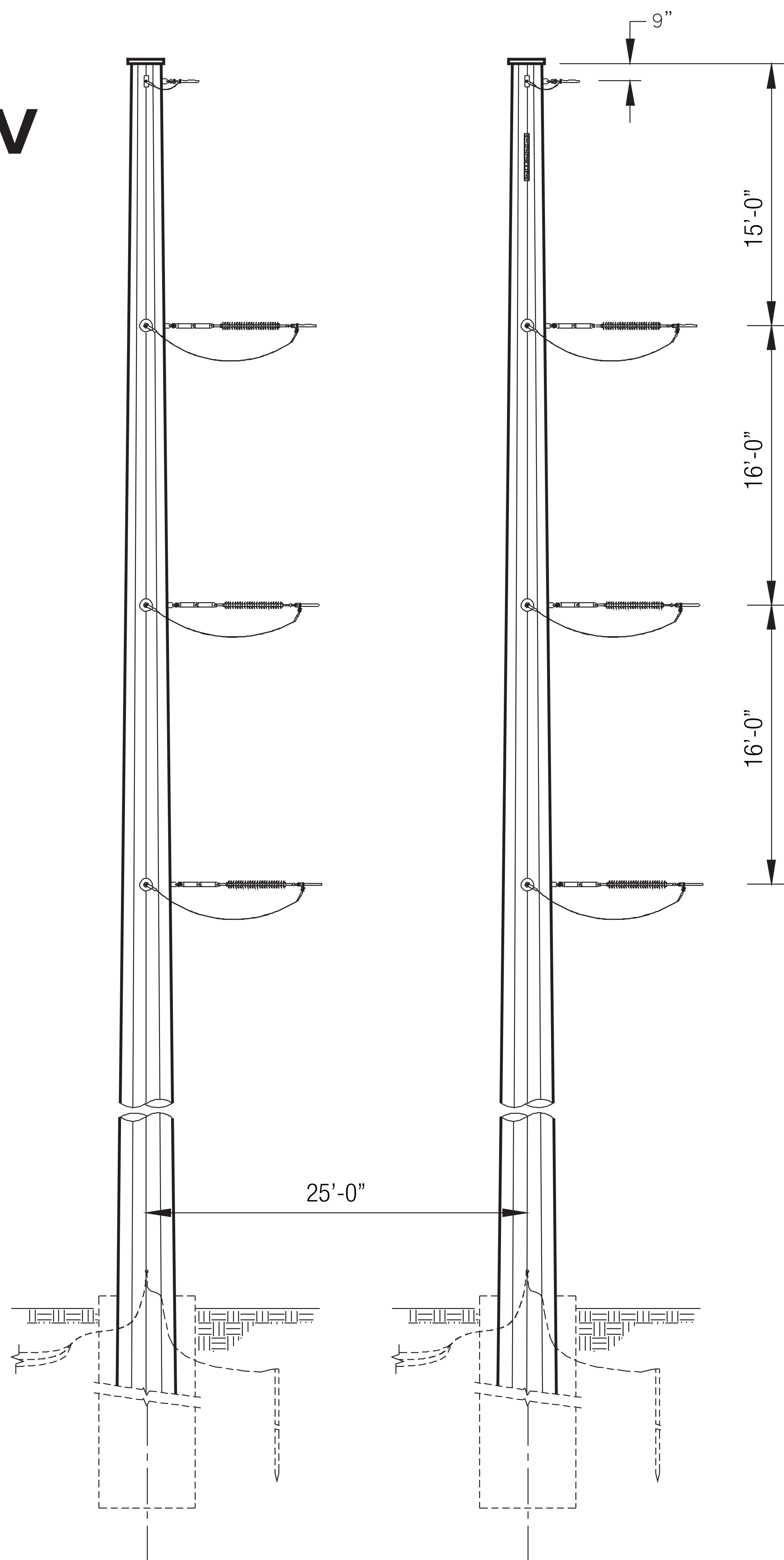


Typical structure

Sabine Pass 230 kV Substation and Transmission Line Project

Typical 230kV dead-end structure



At Entergy Texas, Inc., we have a simple set of values: Focus on our customers, treat people with respect and act with integrity. Our project construction plan will be developed with you, our valued customer, in mind. Once work begins, we will work safely during reasonable hours with as little inconvenience to you as possible.

